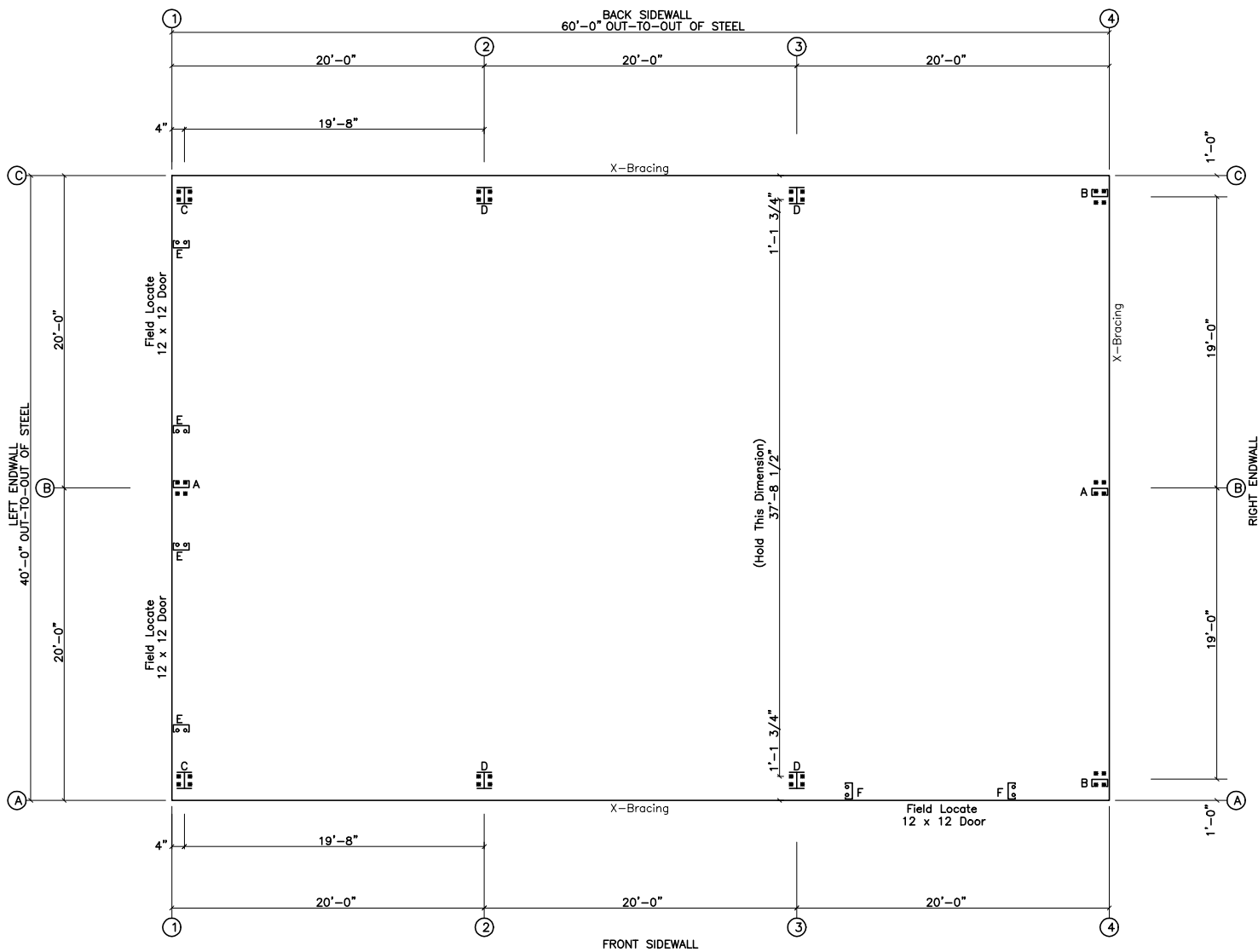


X406014-1



○ Dia= 5/8"  
 ⊗ Dia= 3/4"

ANCHOR BOLT PLAN  
 NOTE: All Base Plates @ 100'-0" (U.N.)

GENERAL NOTES

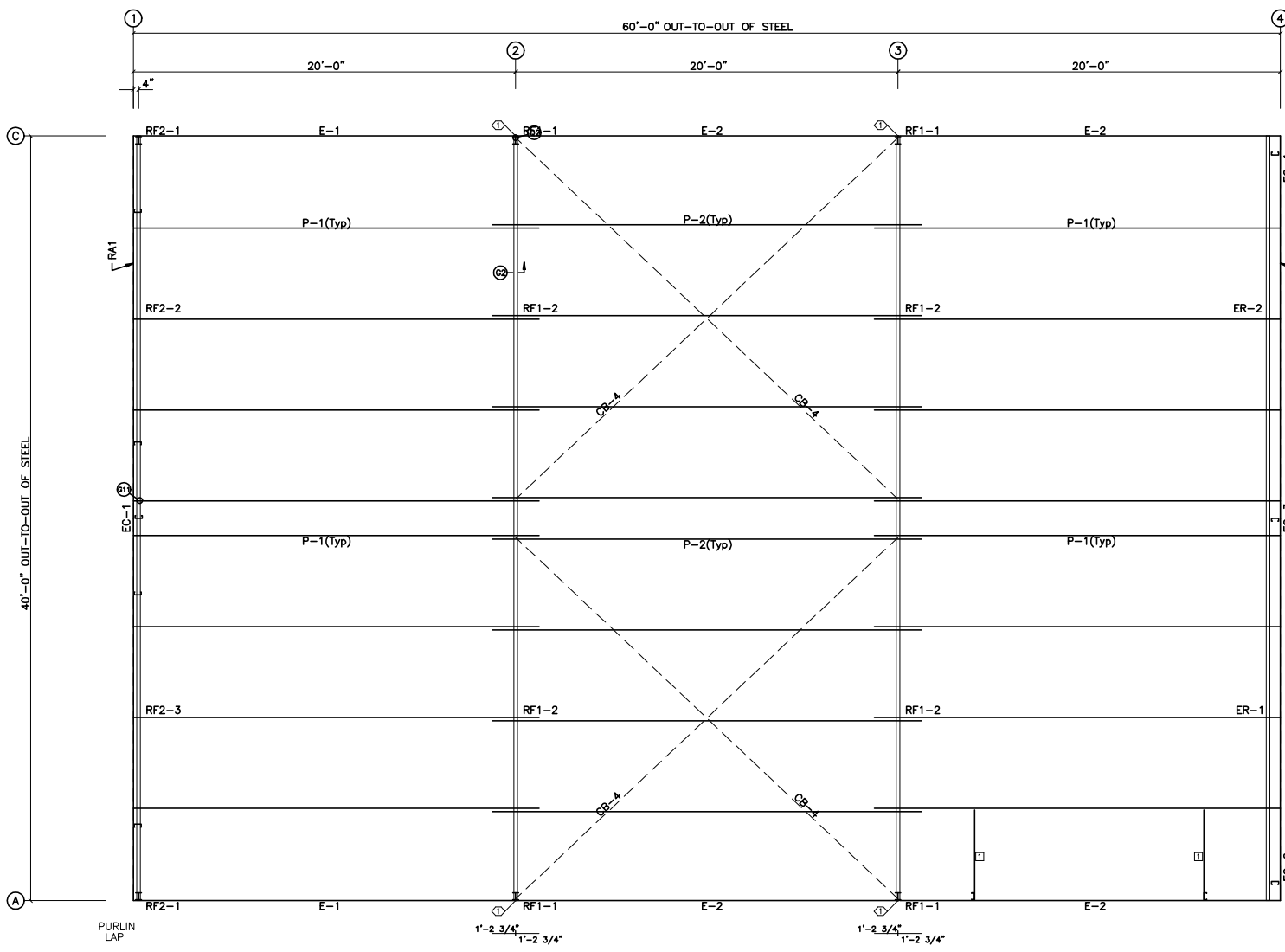
These Drawings Are Not To Scale.  
 Pinnacle's Steel Line Is Shown. A Sheeting Notch Or Brick Ledge,  
 If Used, Must Be Added To Determine The Out Of Concrete.

ISSUE	DESCRIPTION	DATE	MARK
P	PRELIMINARY	3/26/15	



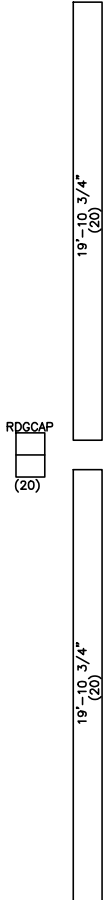
DESCRIPTION:	ANCHOR BOLT PLAN		
CUSTOMER:			
LOCATION:			
Detailer	Checker	Designer	
Job No. X406014	Sheet	Issue	P

PO BOX 1268 - CABOT, AR 72023 (501) 941-3929



SPECIAL BOLTS				
ROOF PLAN				
Q ID	QUAN	TYPE	DIA	LENGTH WASH
1	2	A325	1/2"	1 1/4" 2

CONNECTION PLATES	
ROOF PLAN	
Q ID	MARK/PART
1	L2X2X1/8



ROOF SHEETING  
 PANELS: 26 Ga. 6PBR  
 Galvalume

ROOF FRAMING PLAN

ISSUE	DESCRIPTION	DATE	MARK
P	PRELIMINARY	3/26/15	

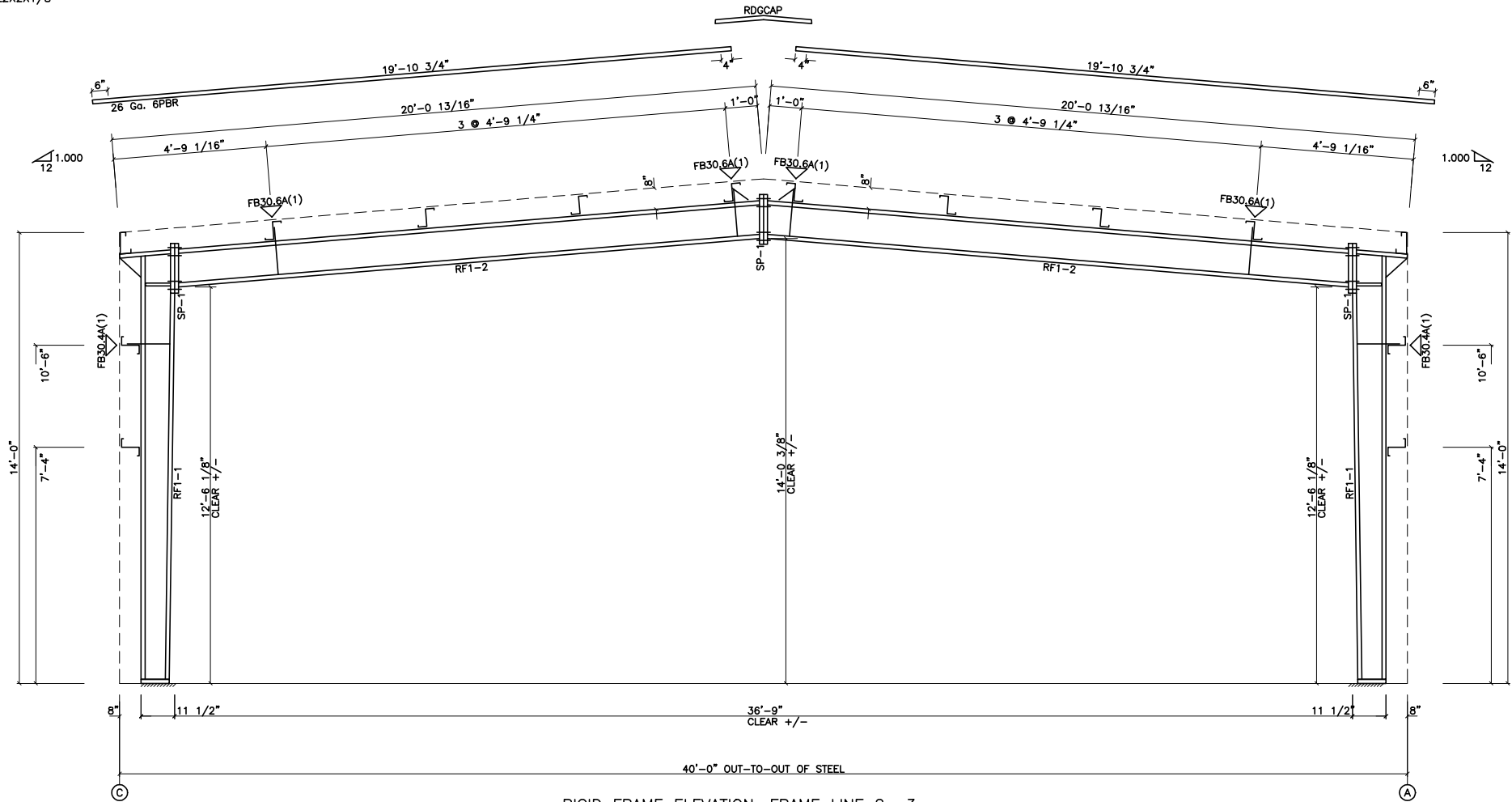


DESCRIPTION:	ROOF FRAMING	
CUSTOMER:		
LOCATION:		
Detailer	Checker	Designer
Job No. X406014	Sheet	Issue P

PO BOX 1268 - CABOT, AR 72023 (501) 941-3929

SPLICE PLATE & BOLT TABLE										
Mark	Qty	Top	Bot	Int	Type	Dia	Length	Width	Thick	Length
SP-1	4	4	0	A325	3/4"	2"	6"	1/2"	1'-5 3/8"	

▽ FLANGE BRACES: (1) One Side; (2) Two Sides  
 FBxxA(1): xx=length(in)  
 A - L2X2X1/8



RIGID FRAME ELEVATION: FRAME LINE 2 3

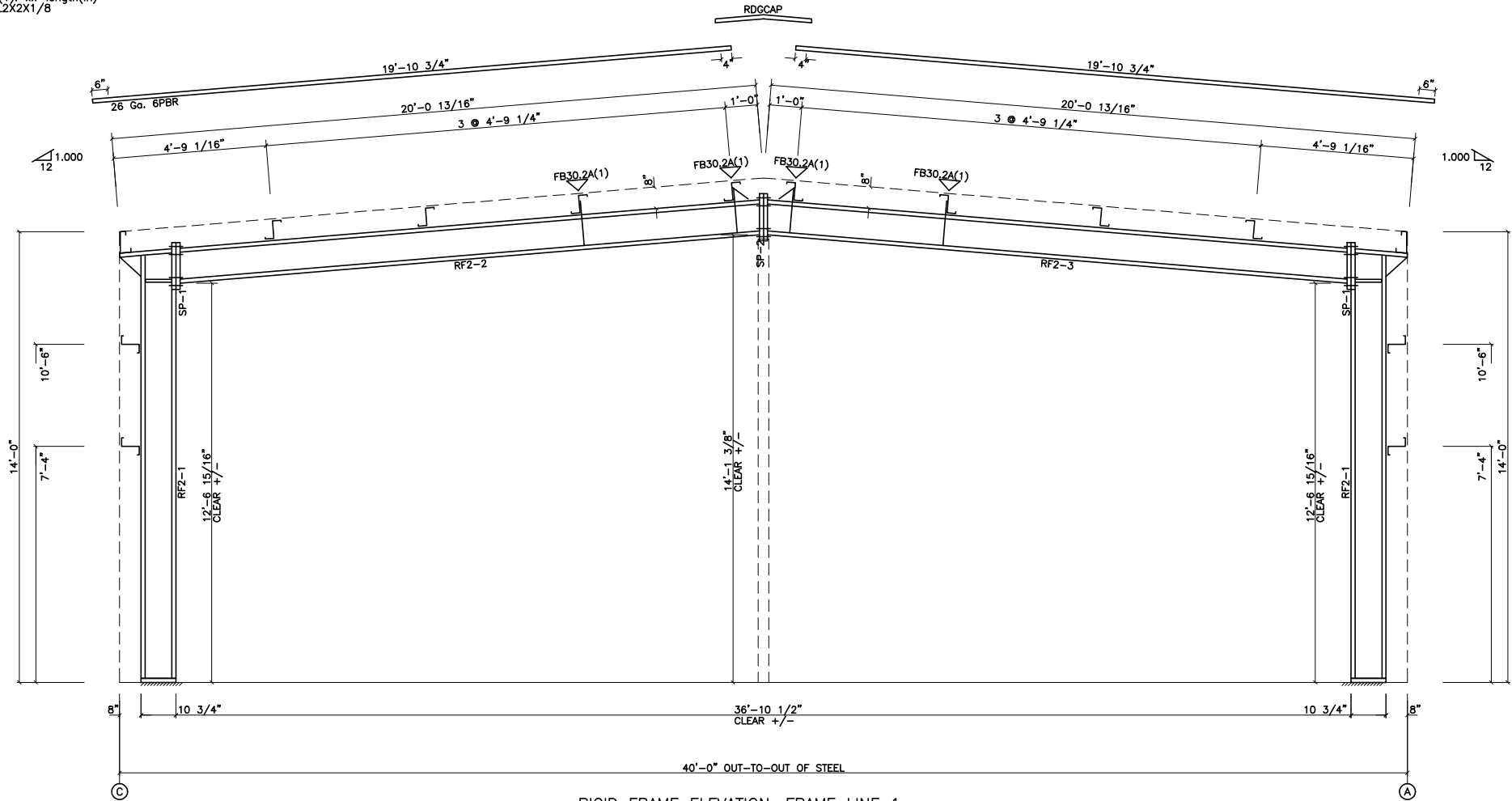
ISSUE	DESCRIPTION	DATE	MARK
P	PRELIMINARY	3/26/15	



DESCRIPTION:	RIGID FRAME ELEVATION		
CUSTOMER:			
LOCATION:			
Detailer:	Checker:	Designer:	
Job No. X406014-	Sheet:	Issue:	P

SPLICE PLATE & BOLT TABLE									
Mark	Qty		Int	Type	Dia	Length	Width		Length
	Top	Bot					Thick	Thick	
SP-1	4	4	0	A325	3/4"	2 1/4"	6"	5/8"	1'-4 3/8"
SP-2	4	4	0	A325	3/4"	1 3/4"	6"	3/8"	1'-4 3/8"

▽ FLANGE BRACES: (1) One Side; (2) Two Sides  
 FBxxA(1): xx=length(in)  
 A = L2X2X1/8



RIGID FRAME ELEVATION: FRAME LINE 1

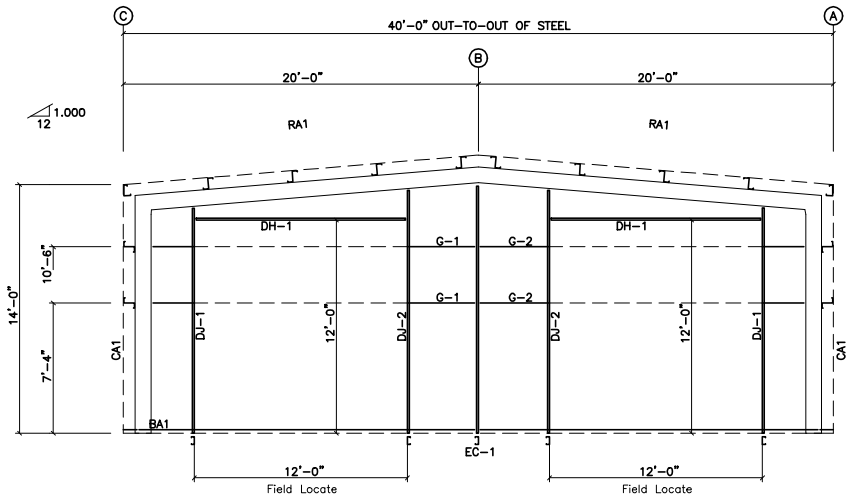
ISSUE	DESCRIPTION	DATE	MARK
P	PRELIMINARY	3/26/15	



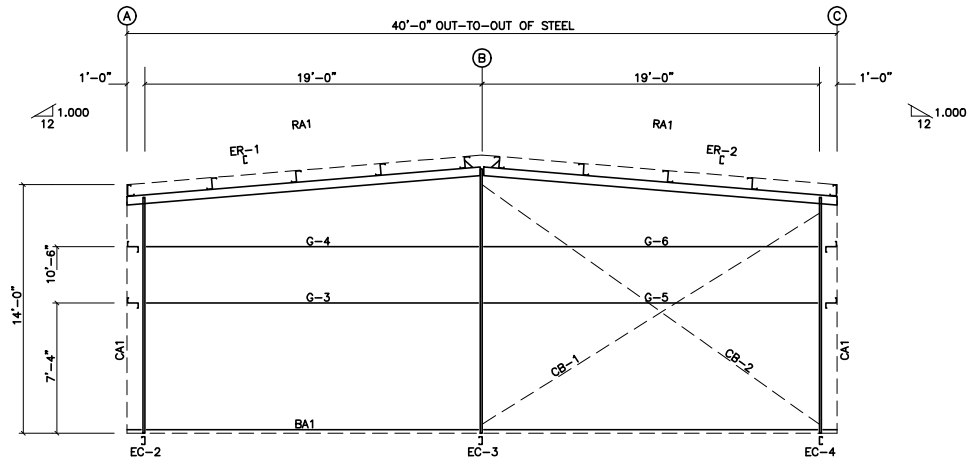
PO BOX 1268 - CABOT, AR 72023 (501) 941-3929

DESCRIPTION:	RIGID FRAME ELEVATION		
CUSTOMER:			
LOCATION:			
Detailer	Checker	Designer	
Job No. X406014	Sheet	Issue	P

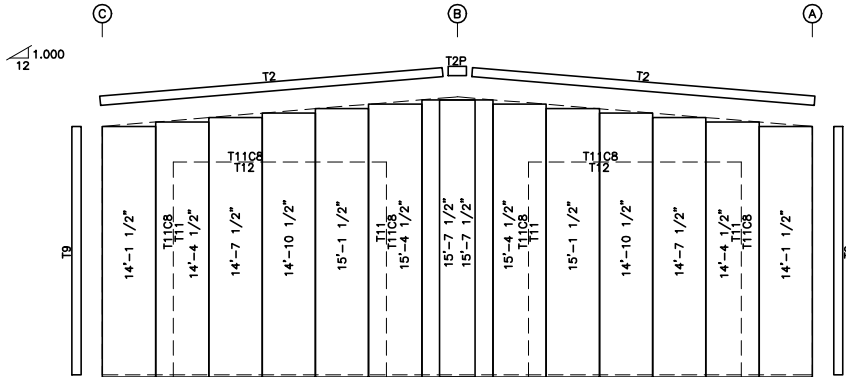
BOLT TABLE				
FRAME LINE 1 & 4				
LOCATION	QUAN	TYPE	DIA	LENGTH
ER-1/ER-2	4	A325	5/8"	1 3/4"
Columns/Raf	2	A325	5/8"	1 1/2"
Jamb	2	A325	5/8"	1 1/2"



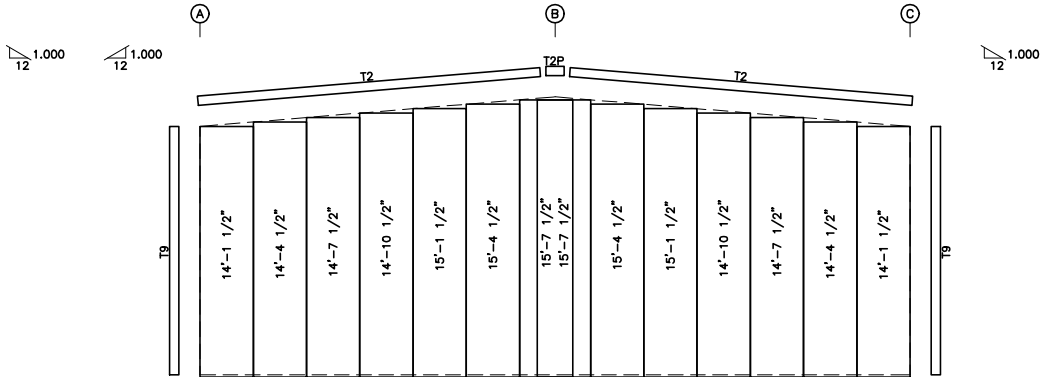
ENDWALL FRAMING: FRAME LINE 1



ENDWALL FRAMING: FRAME LINE 4



ENDWALL SHEETING & TRIM: FRAME LINE 1  
PANELS: 26 Ga. 6PBR - SII Poly



ENDWALL SHEETING & TRIM: FRAME LINE 4  
PANELS: 26 Ga. 6PBR - SII Poly

**GENERAL NOTES:**  
 1. Pinnacle standard trim lap is 3 inches max.  
 2. Pinnacle pre-cuts wall panels at factory located openings as required.  
 3. Slot girts in field for cable passage at flush walls as required.

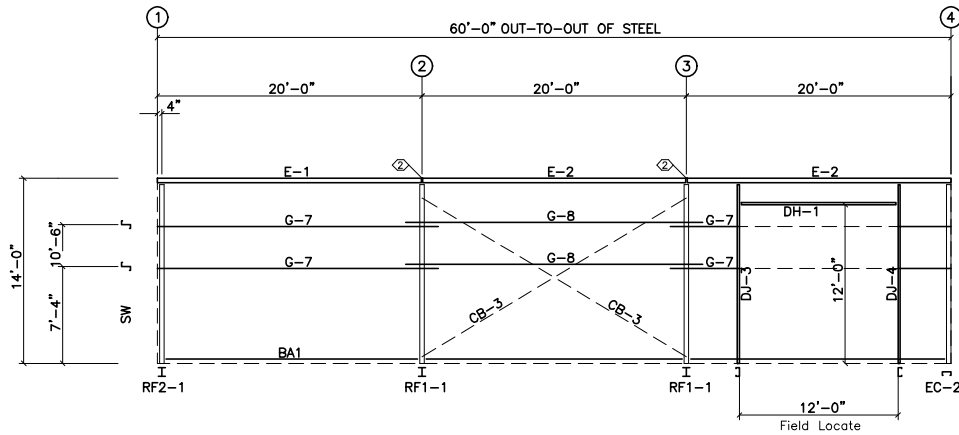
ISSUE	DESCRIPTION	DATE	MARK
P	PRELIMINARY	3/26/15	



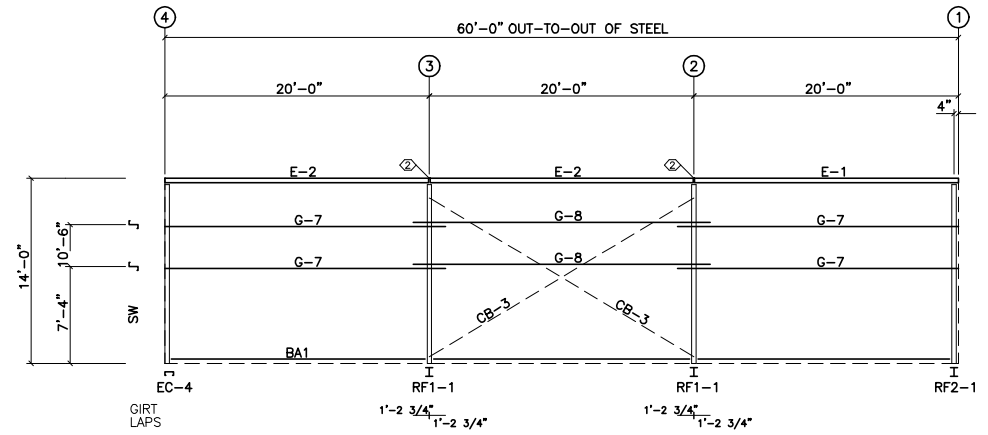
DESCRIPTION:	ENDWALL FRAMING		
CUSTOMER:			
LOCATION:			
Detailer:	Checker:	Designer:	
Job No. X406014-	Sheet:	Issue:	P

PO BOX 1268 - CABOT, AR 72023 (501) 941-3929

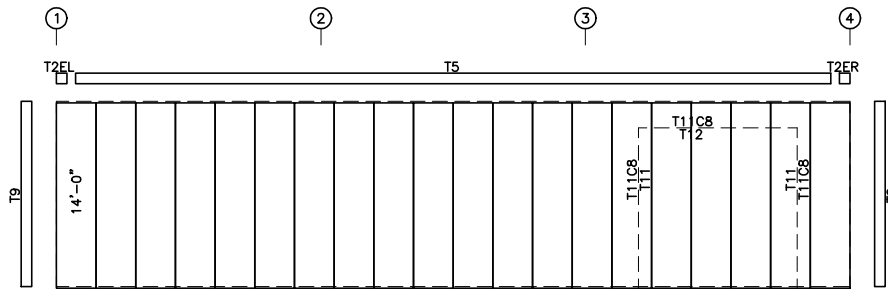
SPECIAL BOLTS					
Ø ID	QUAN	TYPE	DIA	LENGTH	WASH
2	2	A325	1/2"	1 1/4"	2



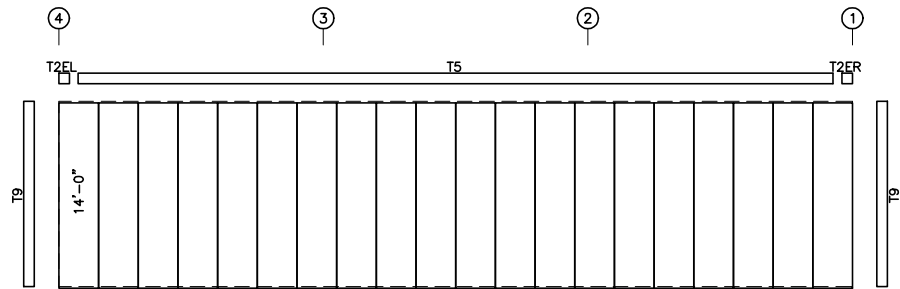
GIRT LAPS  
 1'-2 3/4" 1'-2 3/4"  
 SIDEWALL FRAMING: FRAME LINE A



SIDEWALL FRAMING: FRAME LINE C



SIDEWALL SHEETING & TRIM: FRAME LINE A  
 PANELS: 26 Ga. 6PB8 - SII Poly



SIDEWALL SHEETING & TRIM: FRAME LINE C  
 PANELS: 26 Ga. 6PB8 - SII Poly

**GENERAL NOTES:**

1. Pinnacle standard trim lap is 3 inches max.
2. Pinnacle pre-cuts wall panels at factory located openings as required.
3. Slot girts in field for cable passage at flush walls as required.

ISSUE	DESCRIPTION	DATE	MARK
P	PRELIMINARY	3/26/15	



PO BOX 1268 - CABOT, AR 72023 (501) 941-3929

DESCRIPTION:	SIDEWALL FRAMING		
CUSTOMER:			
LOCATION:			
Detailer	Checker	Designer	
Job No. X406014	Sheet	Issue	P